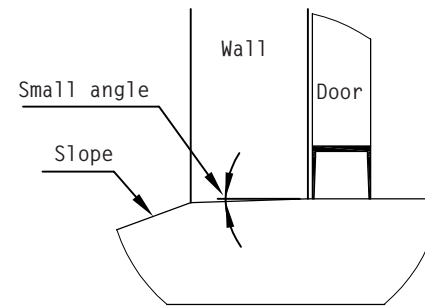
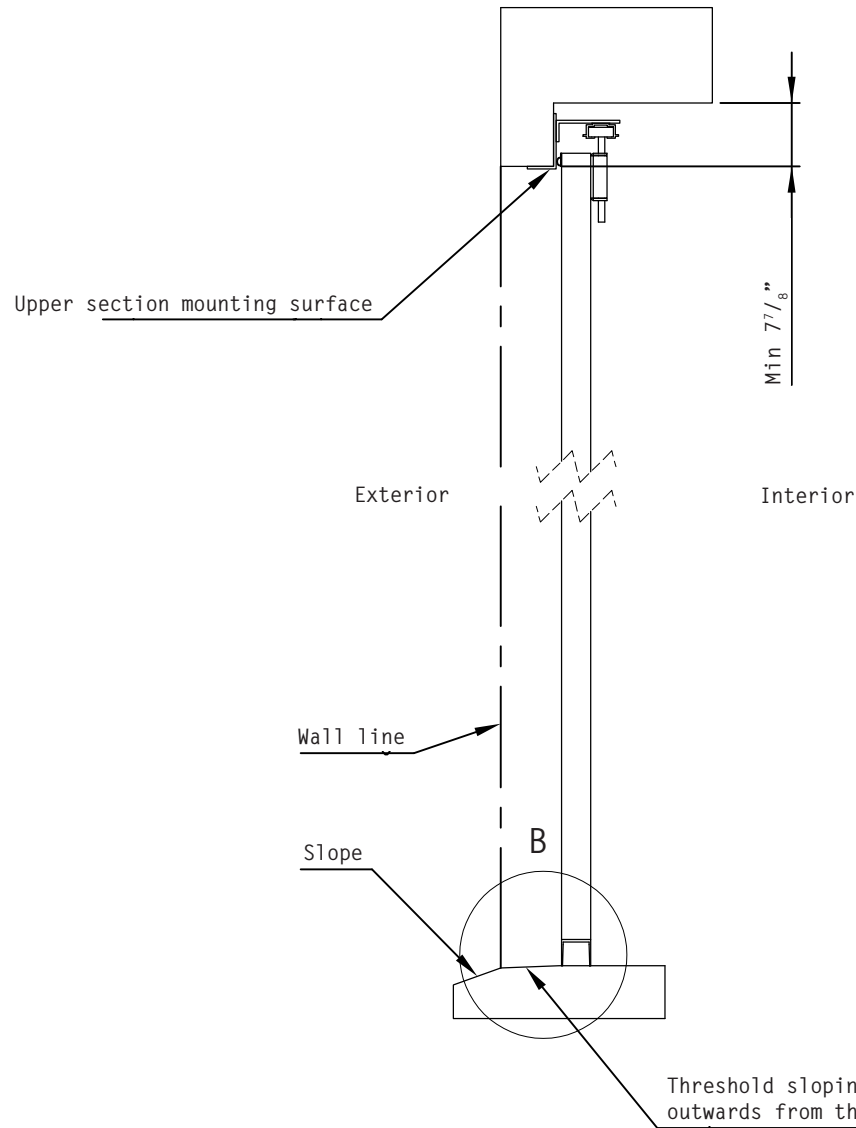


FOLDING DOOR APERTURE, INWARD OPENING SUPPORTING RAIL



DETAIL B

Structural drawing	Date 2/2017
FIN DOOR OY	Lieksentie 11 91100 Ii Ph. +358 400 384 939 findoor@findoor.fi www.findoor.fi